

# Hallway

COM1 - Concealed wiring  
 EAN 4007841 057985  
 Article number 057985



max. 25 x 3 m

2000 W

max. 2000 W



IP20



2 - 2000 lux



5 sec - 60 min



2 - 12 m

iQ

iQ-mode

Teach

Teach mode



connectable via  
 bluetooth

5 years

manufacturer's  
 warranty steinel-  
 professional.de/  
 garantie

## Function description

The cleverer hallway sensor knows more. Perfect radial detection up to 25 m – ideal for long corridors and hallways. Reach can be adjusted in both directions. Contemporary Control PRO II design. Featuring Bluetooth technology. Interfaces for COM1, COM2, DALI-2 APC, DALI-2 IPD, KNX, IP and BT IPD (Slave).

## Technical specifications

|                            |                           |   |   |
|----------------------------|---------------------------|---|---|
| Dimensions (L x W x H)     | 67 x 103 x 103 mm         | LED lamps > 8 W                               | 600 W                                   |
| With motion detector       | Yes                       | Capacitive load in µF                         | 176 µF                                  |
| Manufacturer's Warranty    | 5 years                   | Power consumption                             | 1 W                                     |
| Settings via               | Bluetooth                 | Technology, sensors                           | High frequency, Light sensor            |
| With remote control        | No                        | Mounting height                               | 2,00 – 4,00 m                           |
| Version                    | COM1 - Concealed wiring   | Mounting height max.                          | 4,00 m                                  |
| PU1, EAN                   | 4007841057985             | Optimum mounting height                       | 2,8 m                                   |
| Type                       | Presence detector         | HF-system                                     | 5,8 GHz                                 |
| Application, place         | Indoors                   | Detection                                     | also through glass, wood and stud walls |
| Application, room          | Indoors, corridor / aisle | Detection angle                               | Aisle, 360 °                            |
| Colour                     | white                     | Angle of aperture                             | 140 °                                   |
| Colour, RAL                | 9003                      | Sneak-by guard                                | Yes                                     |
| Includes corner wall mount | No                        | Capability of masking out individual segments | No                                      |
| Installation site          | ceiling                   | Electronic scalability                        | Yes                                     |
| Installation               | Concealed wiring, Ceiling | Mechanical scalability                        | No                                      |
| IP-rating                  | IP20                      |   |   |
| Ambient temperature        | from -20 up to 50 °C      |   |   |

# Hallway

COM1 - Concealed wiring  
 EAN 4007841 057985  
 Article number 057985



## Technical specifications

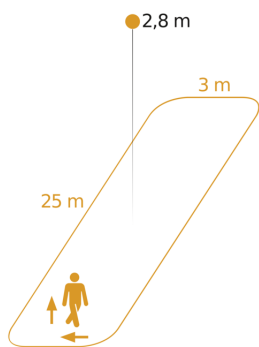
|  |                          |
|--|--------------------------|
| Material   | Plastic                  |
| Mains power supply                                     | 220 – 240 V / 50 – 60 Hz |
| Switching output 1, resistive                          | 2000 W                   |
| Switching output 1, number of LEDs / fluorescent lamps | 8 pcs.                   |
| Switching output 1, floating                           | No                       |
| Fluorescent lamps, electronic ballast                  | 1500 W                   |
| Fluorescent lamps, uncorrected                         | 1000 VA                  |
| Fluorescent lamps, series-corrected                    | 400 VA                   |
| Fluorescent lamps, parallel-corrected                  | 1000 VA                  |
| Switching output 1, low-voltage halogen lamps          | 2000 VA                  |
| LED lamps < 2 W  | 100 W                    |
| LED lamps > 2 W < 8 W                                  | 300 W                    |

|                            |   |
|----------------------------|---|
| Reach, radial              | 25 x 3 m (75 m <sup>2</sup> )   |
| Reach, tangential          | 25 x 3 m (75 m <sup>2</sup> )   |
| Transmitter power          | < 1 mW  |
| Functions                  | Group parameterisation, Semi-/fully automatic, Lighting scenario, Manual ON / ON-OFF, Neighbouring group function, Normal / test mode |
| Twilight setting           | 2 – 2000 lx   |
| Time setting               | 10 s – 60 Min.  |
| Basic light level function | No  |
| Main light adjustable      | No  |
| Twilight setting TEACH     | Yes   |
| Constant-lighting control  | No  |
| Interconnection            | Yes   |
| Type of interconnection    | Master/master, Master/slave   |
| Interconnection via        | Bluetooth   |
| Product category           | Presence detector   |

# Hallway

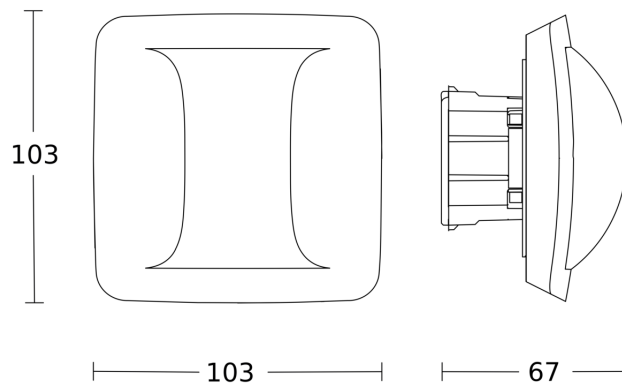
COM1 - Concealed wiring  
EAN 4007841 057985  
Article number 057985

## Detection Zone



Possible mounting height: 2,00 m - 4,00 m  
Orange: radial and tangential

## Dimension Drawing



## Master circuit diagram

